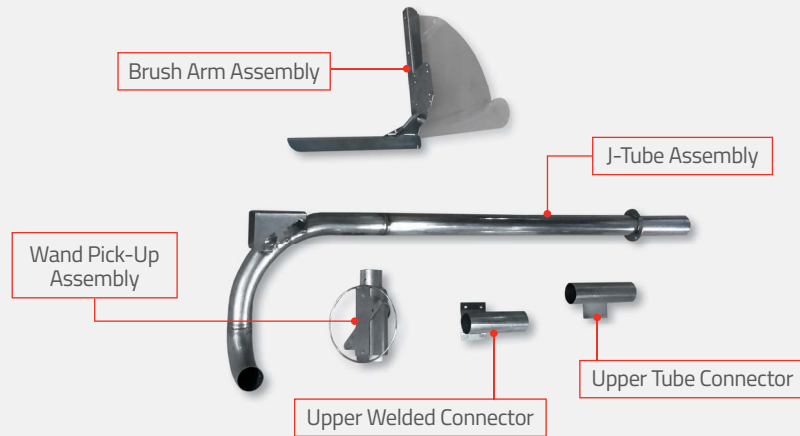


MAGUIRE[®]
Intelligent Simplicity



Sweeper Parts



Full Stainless Steel Sweeper Assembly (Standard - 48)

This option replaces all aluminum parts that are in contact with material, with stainless steel parts. Available for standard Sweeper sizes.

Part No: #OPS-415S - Size = 1½"

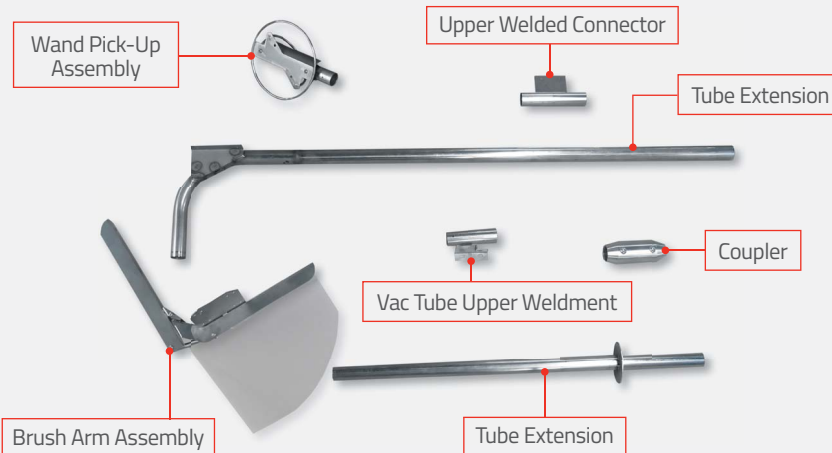
Part No: #OPS-420S - Size = 2"

Part No: #OPS-425S - Size = 2½"

Kit No: #kitSW-19 - Size = 1½"

Kit No: #kitSW-24 - Size = 2"

Kit No: #kitSW-25 - Size = 2½"



Full Stainless Steel Sweeper Assembly (Tall - 84)

This option replaces all aluminum parts that are in contact with material, with stainless steel parts. Available for tall Sweeper sizes.

Part No: #OPS-815S - Size = 1½"

Part No: #OPS-820S - Size = 2"

Part No: #OPS-825S - Size = 2½"

Kit No: #kitSW-22 - Size = 1½"

Kit No: #kitSW-23 - Size = 2"

Kit No: #kitSW-26 - Size = 2½"



Stainless Steel Brush Assembly

This assembly is a direct replacement for the standard steel parts.

Part No: #OPSW-001

Kit No: #kitSW-17



Wider Gaylord Stand Top*

This option increases the width of the Sweeper stand assembly, to allow for more room to slide gaylord box under Sweeper assembly.

*Frame is 6" wider. Available for all Sweeper sizes.

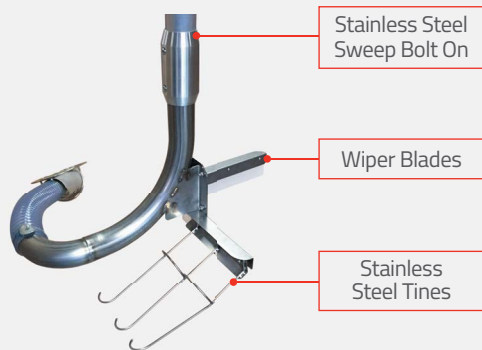
Part No: #OPSW-03



Relocate Power Switch

This option relocates the power switch from the far side of the Sweeper assembly to the gaylord box side of frame.

Part No: #OPSW-004



Stainless Steel Sweep (Bolt-On)

For highly abrasive materials conveying and special applications requiring a hardened surface finish.

Part No: #OPSW-007 - Size = 1½"

Part No: #OPSW-008 - Size = 2"

Part No: #OPSW-009 - Size = 2½"

This kit will install a stainless steel sweep to the lower portion of the J-Tube using a connector.

Kit No: #kitSW-03 - Size = 1½"

Kit No: #kitSW-04 - Size = 2"

Kit No: #kitSW-05 - Size = 2½"

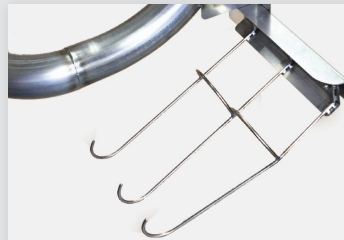


Wiper Blades (FDA)

These two pieces are made from 1/16" thick approved Nylon (FDA compliant). Direct replacement of the two brush assemblies.

Part No: #OPSW-010

Kit No: #kitSW-12



Stainless Steel Tines

Good for poor flowing or sticky materials to assist with consistent material movement.

Part No: #OPS-1625-SST

Kit No: #kitSW-28



Porcelain Lined Sweep (Parts)

This part is very useful for abrasive material conveying applications. This part will replace the sweep to the lower portion of the J-Tube.

Part No: #1656-STP - Size = 1½"

Part No: #1657-STP - Size = 2"

Part No: #1658-STP - Size = 2½"



Porcelain Lined Sweep

These parts are very useful for abrasive material conveying applications. This option will install a porcelain lined sweep to the lower portion of the J-Tube.

Part No: #OPSW-011 - Size = 1½"

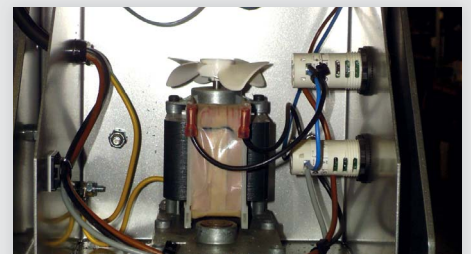
Part No: #OPSW-012 - Size = 2"

Part No: #OPSW-012 - Size = 2½"

Kit No: #kitSW-14 - Size = 1½"

Kit No: #kitSW-15 - Size = 2"

Kit No: #kitSW-16 - Size = 2½"



Sweeper Motor Disconnect Switch

Automatically turns off gear motor as trolley is raised. To prevent motor from turning if assembly is lifted.

Part No: #OPSW-005



Stand Leg Extensions*

Raises the Sweeper frame 4" above ground floor. Additional height spacers to provide additional height for different sized material container.

*4 steel legs included. Fit all size units.

Kit No: #kitSW-02



Wheel Stand Kit*

Mobilizes the Sweeper stand to allow for local repositioning around material containers and increase accessibility.

*Set of wheels attached to Sweeper stand

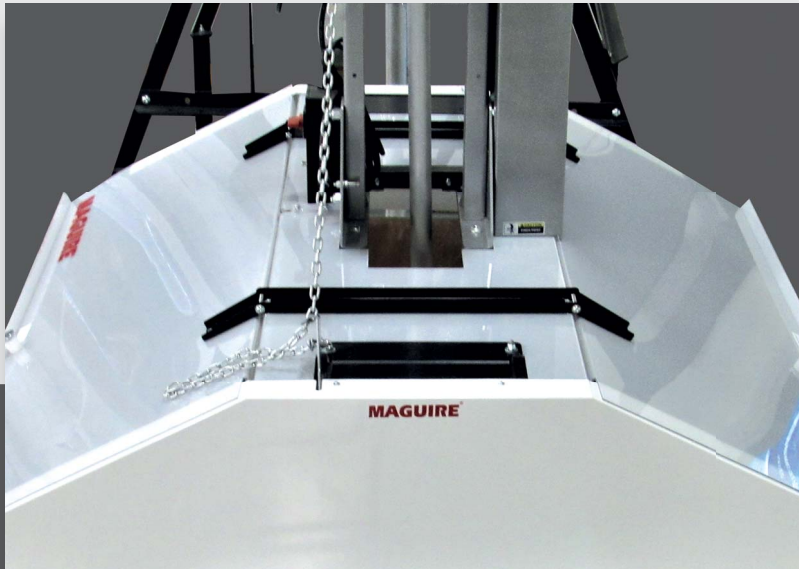
Kit No: #AHM05



Cloth Material Bin Cover

Stretched over material container. Fabric container cover with clear viewing panels placed on material container - allows easy view but stops foreign bodies entering material container.

Part No: #GLC-4848



Clear Lexan Material Bin Cover

Clear Lexan gaylord box cover that is mounted to the Sweeper stand assembly. This in turn will help prevent foreign material from accidentally falling into the gaylord production material. The two hinged cover allow for easy access to the material container. It is a simple assembly with standard hand tools, and the Sweeper assembly does not need to be removed from the stand.

Part No: #GLC-485C

Combine with the GHL Loader Series for a complete material container unloading package.

For more information, please contact our team today.

www.maguire.com



GHL Loader Series



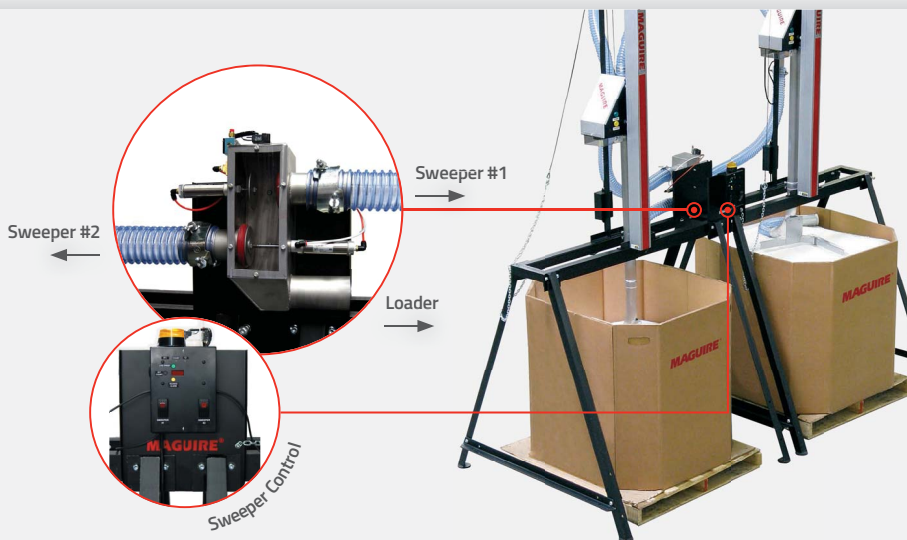


Low Level Alarm

This option will allow a low level sensor to be installed on the Sweeper unit. It is adjustable for a low level of the material in the material container. The control box has an audible alarm, and a strobe light to signal the level of material in the gaylord.

Part No: #LLA-1S

Kit No: #kitLLA-1S



Dual Sweeper Control

Interconnected controls for Dual Sweeper installations. Automatic switchover from material container A to container B - allows for longer durations without manual intervention.

Part No: #OPSW-015 - Size = 1½" (48) STD

Part No: #OPSW-02 - Size = 2" (48) STD

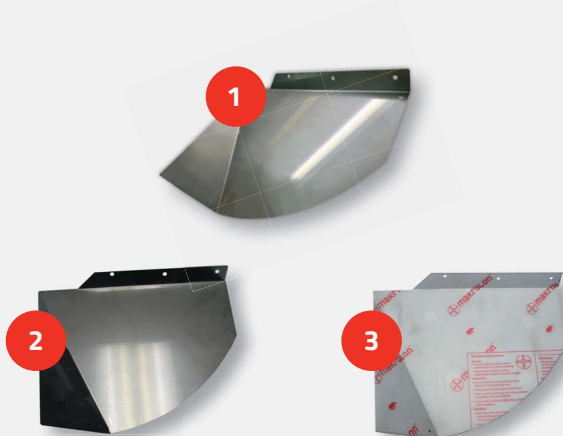
Part No: #OPSW-025 - Size = 2½" (48) STD

Part No: #OPSW-02T - (84) TALL

Kit No: #kitSW-27 - Size = 2½" (48) STD

Kit No: #kitSW-20 - Size = 2" (84) TALL

Kit No: #kitSW-21 - Size = 1½" (84) TALL



Sweeper Gaylord Blades

Used to allow the Sweeper to slide along the top of the material and not bury itself (Example: Food or medical grade materials). Available for all size units.

1. 1/32" thick Nylon blade (FDA compliant)

Part No: #1625-GBN

2. 1/16" thick stainless steel blade

Part No: #1625-GBS

3. 1/8" thick Lexan blade

Part No: #1625-GBT

Where To Find Us

With our extensive network of agents and distributors across the globe, we aim to support our customers locally as much as possible.

- Maguire Headquarters
- Agents & Distributors



Contact Our Teams

Maguire USA
Aston, PA, USA
T: +1 610 459 4300
F: +1 610 459 2700
E: info@maguire.com

Maguire Canada
Ontario, Canada
T: +1 905 879 1100
F: +1 905 879 1101
E: info@maguirecanada.com

Maguire Europe
Staffordshire, UK
T: +44 1827 338 280
F: +44 1827 338 285
E: info@maguire-europe.com

Maguire IMEA
Dubai, UAE
T: +971 4 881 6700
E: info@maguire-imea.com

Maguire Asia
Singapore
T: +65 6848 7117
F: +65 6542 8577
E: magasia@maguire-products.com.sg

Maguire China
Shanghai
T: +86 21 5882 3410
F: +86 21 5882 3420
E: amber@maguirechina.com

Maguire Taiwan
Taichung City 435
T: +886 4 2658 1535
E: mptw.mgmt@maguire.tw

Connect With Us:
[@MaguireProducts](#)
[Maguire-Products](#)
[MaguireProducts](#)